



SOCIALIZING



SENSORIAL  
INTEGRATION



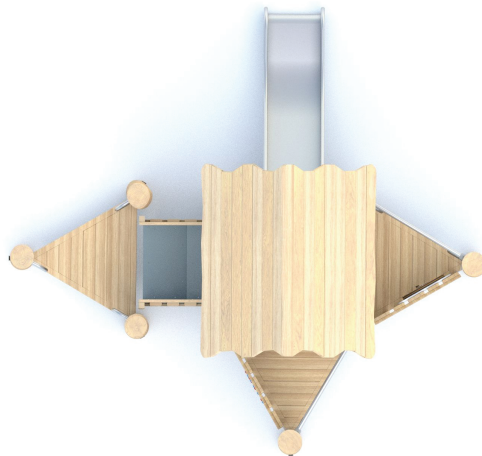
SLIDING



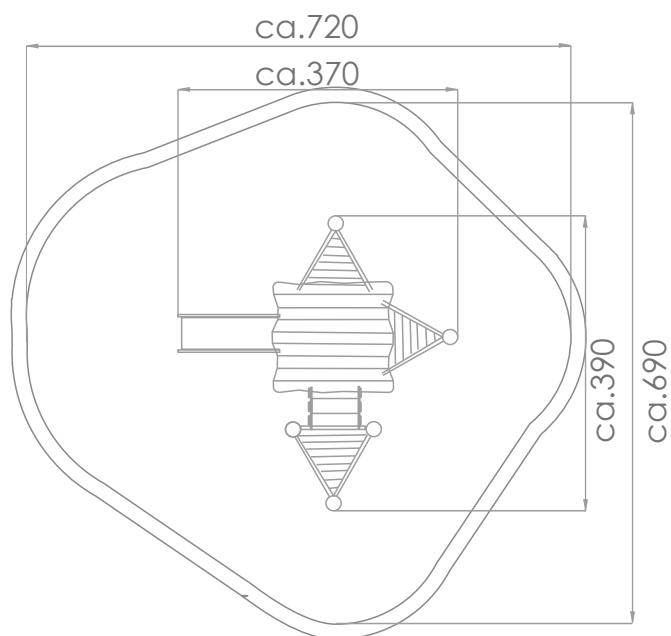
### INFORMATION ABOUT THE PRODUCT

Dimensions	ca.370x 390 cm
Safety zone	ca.720 x 690 cm
Overall height	ca.370 cm
Free fall height	ca.90 cm
Amount of users	9 persons
Product complies with PN-EN 1176-1:2017-12	YES
Availability of spare parts	YES
Age range	1-8
<small>According to EN 1176-1:2017-12 norm, the product requires applying a safety surface according to the product's free fall height.</small>	

Visualisation is for reference only,  
actual appearance may vary.



INTERAKTYWNE PANELE:



SCALE 1:100

MATERIALS:

<p>NATURAL ROBINIA WOOD</p>	<p>ELEMENTS CONSTRUCTION MADE OF STAINLESS STEEL AISI 304</p>	<p>SYSTEM OF CONNECTORS AND CLAMPS MADE OF STRONG ALUMINIUM ALLOY.</p>	<p>SLIDES MADE OF STAINLESS STEEL AISI 304</p>	<p>PLATES OF THE WALLS MADE OF GREY TRIPLE LAYERED 15 MM HDPE POLYETHYLENE</p>